

NOTICE! PLEASE READ THIS ENTIRE INSTRUCTION BEFORE INSTALLING.

To install the **TEAMBOARD T4**:

1. Position the wallmount bracket at the desired installation height. The recommended height is 65 1/4" from the bottom edge of the wallmount bracket to the floor.

Mark the mounting hole location on to the wall.

Using the appropriate fasteners, attach the wallmount bracket to the wall.
(Minimum 3/8" diameter fasteners.)

Weight of the board = 52-66lbs - 24-30kg

PROPRIETARY AND CONFIDENTIAL:
THE INFORMATION CONTAINED IN THIS DRAWING IS THE SOLE PROPERTY OF TEAMBOARD INC. ANY REPRODUCTION IN PART OR AS A WHOLE WITHOUT THE WRITTEN PERMISSION OF TEAMBOARD INC IS PROHIBITED.

EGAN TEAMBOARD INC.
300 Hanlan Road
Woodbridge, ON L4L 3P6

Tel: (905) 851-2826 Fax: (905) 851-3426
(800) 263-2316 Email: support@teamboard.com



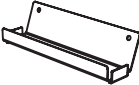
TeamBoard T4 (wallmount) Installation Instructions

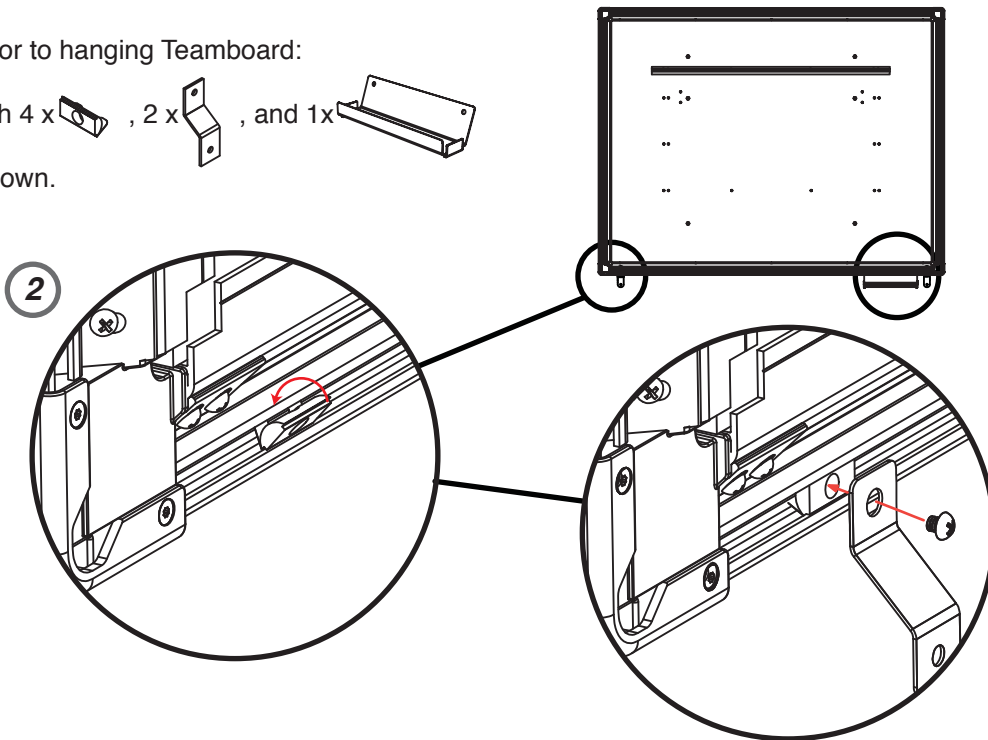


PRODUCT CODE: T481, T492, T499	MATERIAL: --	DRAWN BY: YB	DATE DRAWN: 22 JAN 2014
RMC: --	FINISH: --	APPROVED BY: --	DATE APPROVED: --
INC CODE: --	DO NOT SCALE DRAWING	SCALE: NTS	UNITS: INCHES
GENERAL TOLERANCE: ±.005 UNLESS SPECIFIED OTHERWISE		DRAWING NO: 1 OF 3	

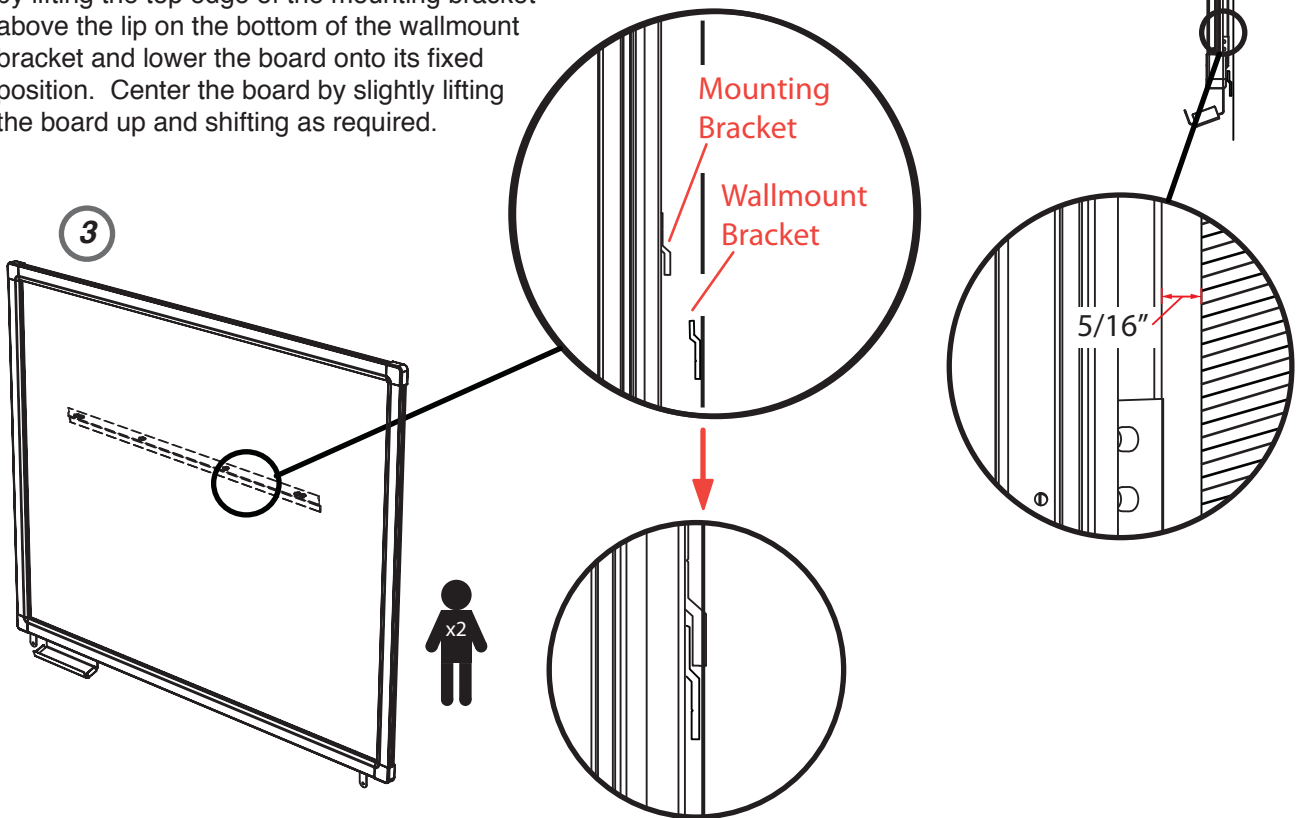


2. Prior to hanging Teamboard:

Attach 4 x , 2 x , and 1 x  as shown.



3. Attach the board to the mounting bracket by lifting the top edge of the mounting bracket above the lip on the bottom of the wallmount bracket and lower the board onto its fixed position. Center the board by slightly lifting the board up and shifting as required.



PROPRIETARY AND CONFIDENTIAL:
THE INFORMATION CONTAINED IN THIS DRAWING IS THE SOLE PROPERTY OF TEAMBOARD INC. ANY REPRODUCTION IN PART OR AS A WHOLE WITHOUT THE WRITTEN PERMISSION OF TEAMBOARD INC IS PROHIBITED.

EGAN TEAMBOARD INC.
300 Hanlan Road
Woodbridge, ON L4L 3P6

Tel: (905) 851-2826 Fax: (905) 851-3426
(800) 263-2316 Email: support@teamboard.com

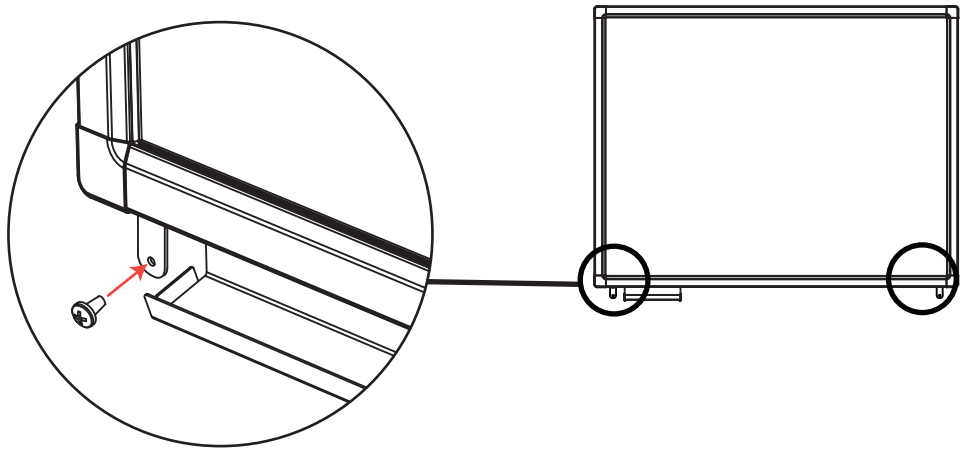
TeamBoard T4 (Wallmount) Installation Instructions

A

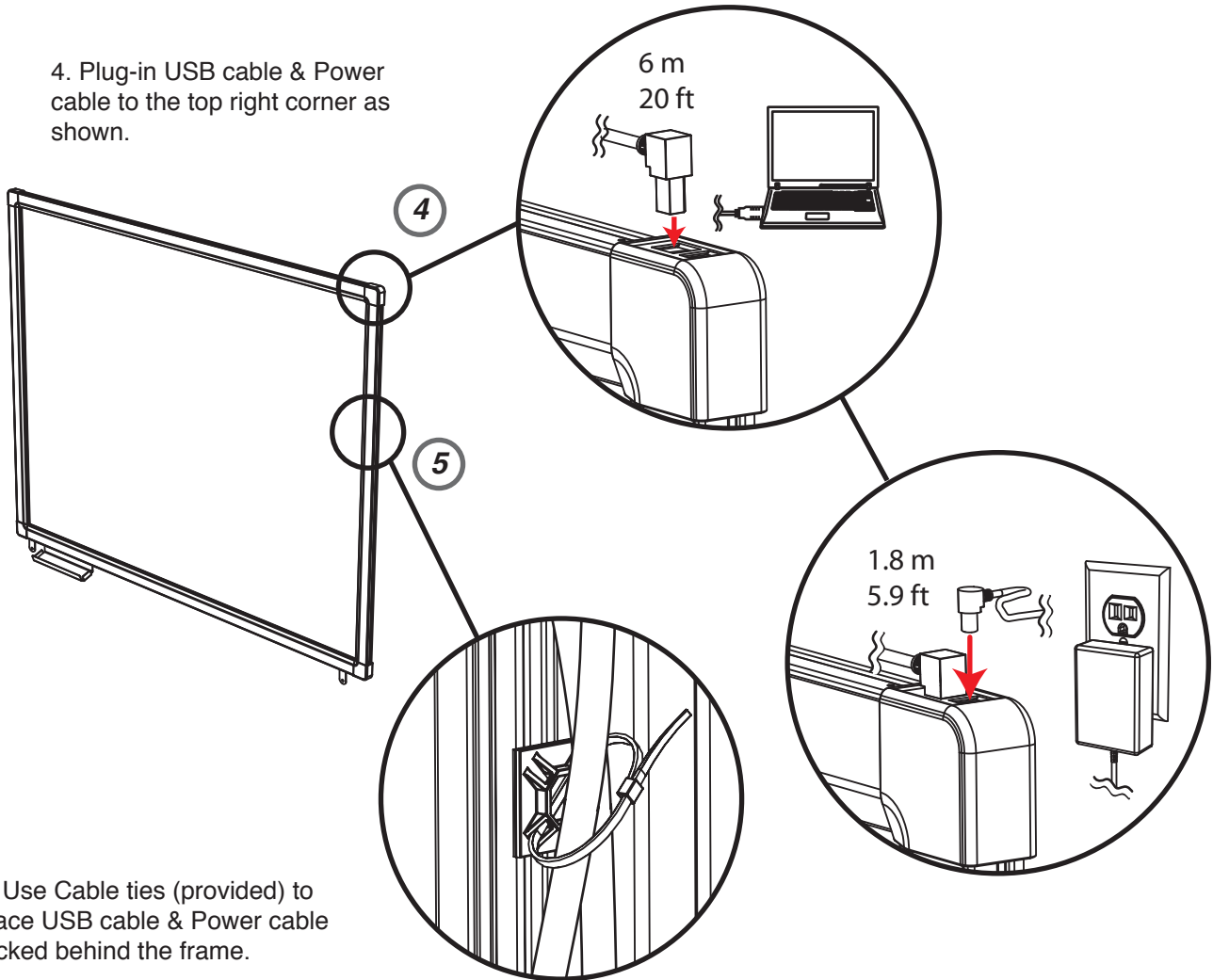
PRODUCT CODE: T481, T492, T499	MATERIAL: --	DRAWN BY: YB	DATE DRAWN: 22 JAN 2014
RMC: --	FINISH: --	APPROVED BY: --	DATE APPROVED: --
NC CODE: --	DO NOT SCALE DRAWING	SCALE: NTS	UNITS: INCHES
GENERAL TOLERANCE: UNLESS SPECIFIED OTHERWISE	DRAWING NO:	SHEET: 2 OF 3	



4. Using appropriate fasteners stabilize Teamboard to the wall.



4. Plug-in USB cable & Power cable to the top right corner as shown.



5. Use Cable ties (provided) to place USB cable & Power cable tucked behind the frame.

0241137_R3_01/14/PDF © 2014 Egan Teamboard Inc. Printed in Canada. Specifications are subject to change without notice.

PROPRIETARY AND CONFIDENTIAL:
THE INFORMATION CONTAINED IN THIS DRAWING IS THE SOLE PROPERTY OF
TEAMBOARD INC. ANY REPRODUCTION IN PART OR AS A WHOLE WITHOUT THE
WRITTEN PERMISSION OF TEAMBOARD INC IS PROHIBITED.

EGAN TEAMBOARD INC.
300 Hanlan Road
Woodbridge, ON L4L 3P6

Tel: (905) 851-2826 Fax: (905) 851-3426
(800) 263-2316 Email: support@teamboard.com

TeamBoard T4 (wallmount) Installation Instructions



PRODUCT CODE: T481, T492, T499	MATERIAL: --	DRAWN BY: YB	DATE DRAWN: 22 JAN 2014
RMC: --	FINISH: --	APPROVED BY: --	DATE APPROVED: --
INC CODE: --	DO NOT SCALE DRAWING	SCALE: NTS	UNITS: INCHES
GENERAL TOLERANCE: UNLESS SPECIFIED OTHERWISE		DRAWING NO:	SHEET: 3 OF 3

