



TeamBoard Mobile Stand

Product Code
TMSMHACL

www.teamboard.com

Also available:
TeamBoard Total Mobile
TeamBoard 4 Interactive Whiteboard

TeamBoard Mobile Stand

The TeamBoard Mobile Stand allows for flexibility with your interactive technology: Mobile, height adjustable, and a robust build quality. Move your TeamBoard easily for convenience or technology sharing across rooms. Manually height adjustable in six pre-defined heights

Features		Benefits
Hardware	✓ Height Adjustable	<ul style="list-style-type: none"> > 16 1/2" (42cm) of vertical travel to accommodate presenters of all heights > Manually adjusted travel is pre-defined into 6 different latch positions
	✓ Substantial Lockable Casters	<ul style="list-style-type: none"> > Roller blade wheels allow for easy movement from room to room with minimal rolling resistance > Casters are 'total lock'—steady both rolling and swivel lockout
	✓ TeamBoard Mount Compliant	> Works well with TeamBoard 2 RT, TeamBoard 3 RT, and TeamBoard 4.
	✓ Steel construction	> Heavy duty steel construction, not tin or sheet metal, for strength and durability.

Design Intent

The TeamBoard Mobile Stand lets the presenter make any space an interactive collaboration space. The Stand is designed to complement existing AV equipment in a collaborative environment, allowing for re-positioning of the interactive whiteboard. For fully integrated projector mounting, see TeamBoard Total Mobile.

Operating Specifications

Functionalities

- Mobility—can easily be rolled room to room
- Height adjustability into 6 different heights
- Stable, robust construction

Certifications & Compliances

A.D.A. compliant



The management systems governing the design and manufacture of this product are ISO9001:2008 and ISO14001:2004 certified

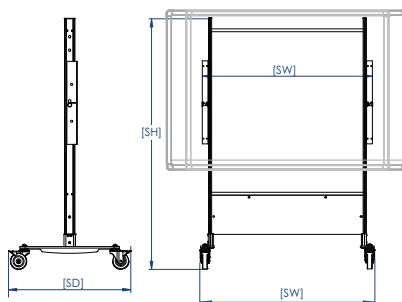
GREENGUARD™ compliant, for improved Indoor Air Quality and LEED credit support.

Warranty

See Standard Global Warranty on TeamBoard.com

What's in the box...

- Your new stand (knocked down, dealer assembled)
- Allen key hex tool
- Instruction sheet
- Safety brackets
- Mounting hardware to install your TeamBoard



Dimensions (OD)

TMSMHACL

Overall width	Stand width (SW)	41"	1.04m
	Stand width, at foot (SW)	41 3/4"	1.06m

Overall height	Stand Height (SH):	61"	1.55m
----------------	--------------------	-----	-------

Overall depth	Stand Depth (SD)	30"	0.77m
---------------	------------------	-----	-------

Net Weight		36lbs	16.3kg
------------	--	-------	--------

Shipping Details

Shipping Carton	Width:	58"	1.47m
	Height:	11"	0.28m
	Depth:	5"	0.13m
	Volume:	1 6/7ft ³	0.05m ³

Pallet Quantity	Units:	1
-----------------	--------	---

Shipping Weight	Gross Weight:	43lbs	19.5kg
-----------------	---------------	-------	--------

Documentation	Harmonization Code:	9403 10 0400
	Country of Origin:	Canada

Designed and manufactured in North America by **Egan TeamBoard Inc.**, leaders in interactive whiteboard solutions since 1994. TeamBoard is part of the Egan Visual family, designers and manufacturers of visual communication products for over 40 years. You can count on TeamBoard products to be well-designed and well-built for years of hassle-free enjoyment. **Environmentally responsible design, quality, value and timeliness.** The management systems of Egan TeamBoard Inc. have been certified to have established, documented, implemented and continuously maintains a Quality Management System and Environmental Management System, as a registrant of the ISO 9001:2008 and ISO 14001:2004 standards.

Learn or Buy

teamboard.com
sales@teamboard.com
+1-905-851-2826

Connect & Share

twitter.com/teamboard
youtube.com/eganteamboard

Support

support@teamboard.com

